



Assembly and installation guide

Before you start: ATTENTION

Please read these instructions through carefully before you start the installation. Incorrect product installation may result in serious product failure which will not be covered under your guarantee.

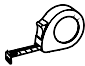





The wall profiles are designed to allow for 20mm adjustment when fitted to out of true walls. The thickness of the tiles used will affect the overall position of the assembly in situ.

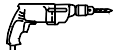
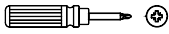
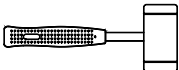


Check the number of components to ensure you have all the parts listed and make sure you have the right tools to hand.

Two people are required for certain parts of the assembly and it is always recommended that a technically competent installer should undertake the installation.

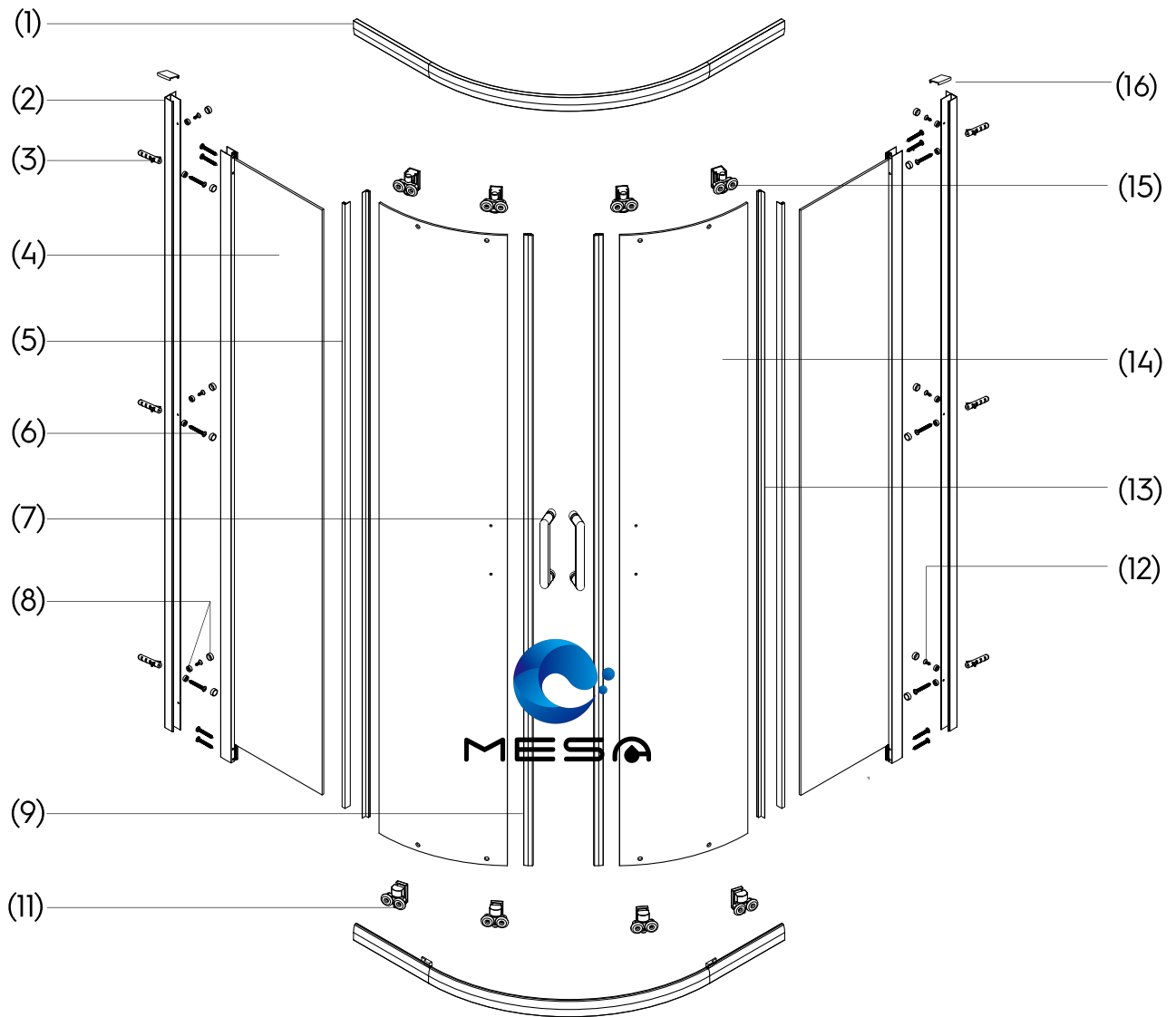
Ensure that the enclosure is fitted to a level base. The wall plugs included with this product are suitable only for solid walls. Plasterboard or stud walls may require specialized fixings which are not provided. Handle all glass components with extreme care avoiding any damage to the corners and edges which may cause it to shatter.

TOOLS REQUIRED

DESCRIPTION	PART IMAGE
Tape measure	
Spirit level	
Pencil	
Ø6mm Drill bit	
Ø3mm Drill bit	
Protection eyeglasses	

DESCRIPTION	PART IMAGE
Drill	
Cross head Screwdriver	
Mallet	
Silicone Sealant	
Gloves	

ASSEMBLY INSTRUCTIONS - EXPLODED VIEW AND PARTS LIST



(1) 2x Horizontal Rail (A1)

(2) 2x Wall Post Profiles (A3)

(3) 6x Wall Plugs (A11)

(4) 2x Fixed Panels

(5) 2x Vertical seals (Fixed Panel) (A9)

(6) 14x Screws 4 x30 (A12)

(7) 2x Handles (A7)

(8) 12x Screw Cover Caps and Clips (A14)

(9) 2x Magnetic Strips (Glass Door) (A16)

(10) 4x Top Rollers (A6)

(11) 4x Bottom Rollers (A5)

(12) 6x Screws 4 x12 (A13)

(13) 2x Vertical Seal (Glass Door)(A9)

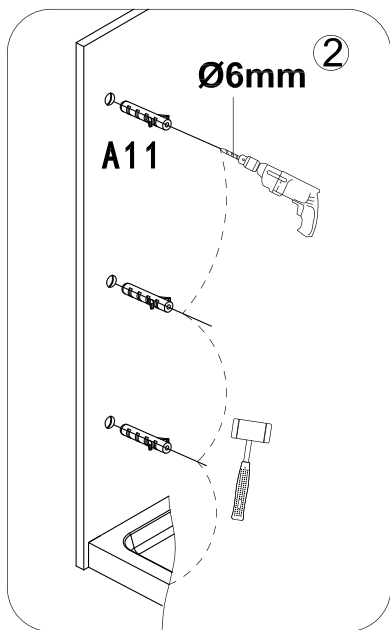
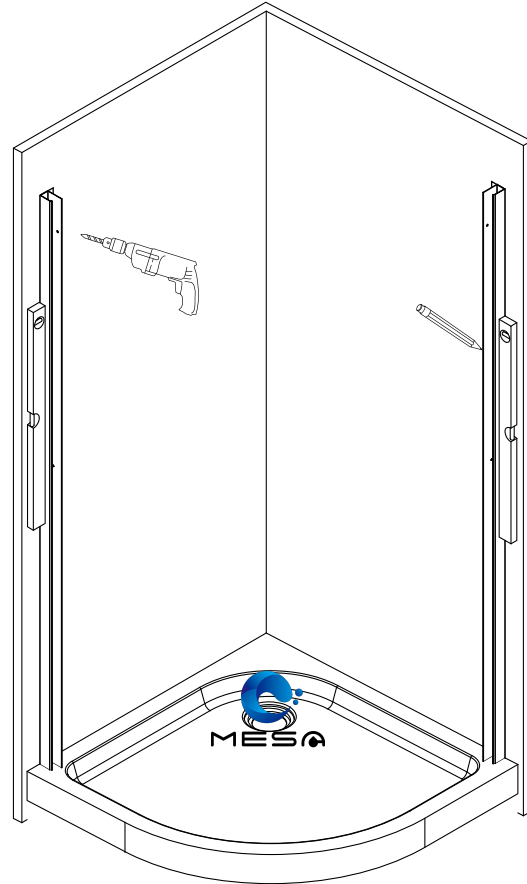
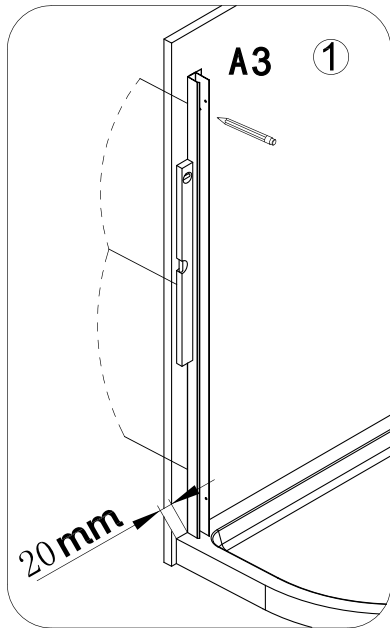
(14) 2x Glass Doors

(15) 4x Top Rollers (A6)

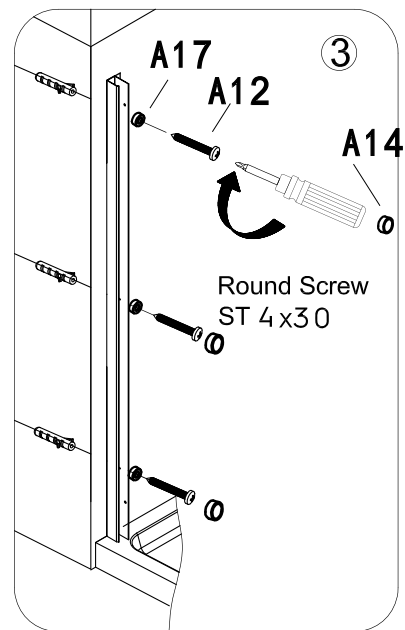
(16) 2x Profile cover caps (A4)

Step 1 - DRILLING THE WALL PROFILES TO THE WALL

MAKE SURE THE TRAY IS LEVEL USING A SPIRIT LEVEL BEFORE INSTALLING THIS SHOWER PANEL/DOOR.

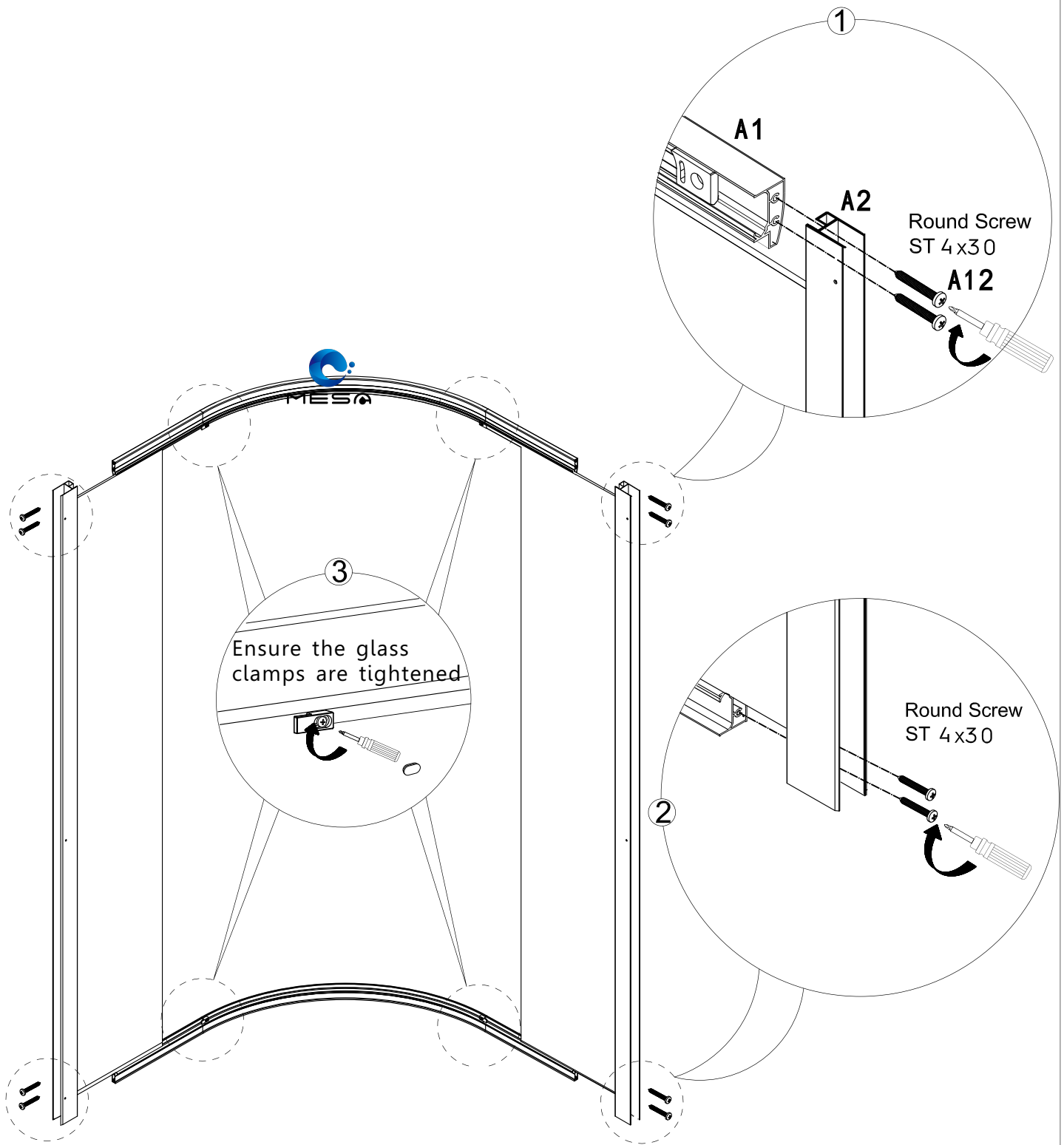


Take care not to damage the wall surface



Step 2 - FRAME ASSEMBLY

INSTALLING THE TOP AND BOTTOM TRACKS



1

A1

A2

Round Screw
ST 4x30

A12

3

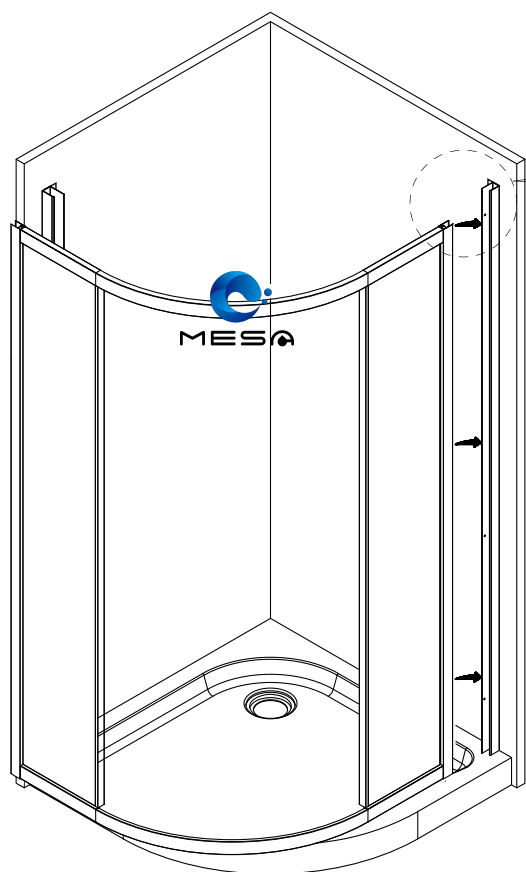
Ensure the glass
clamps are tightened

Round Screw
ST 4x30

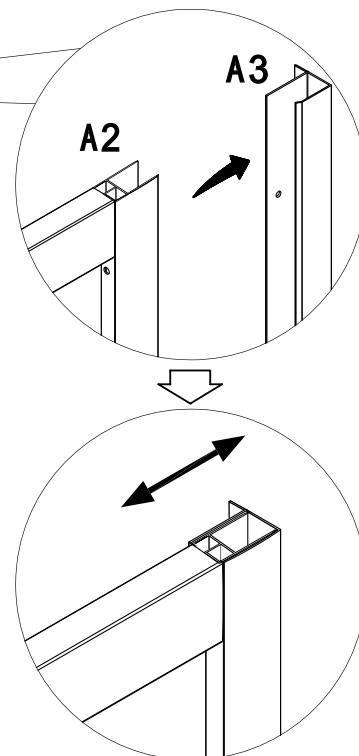
2

5

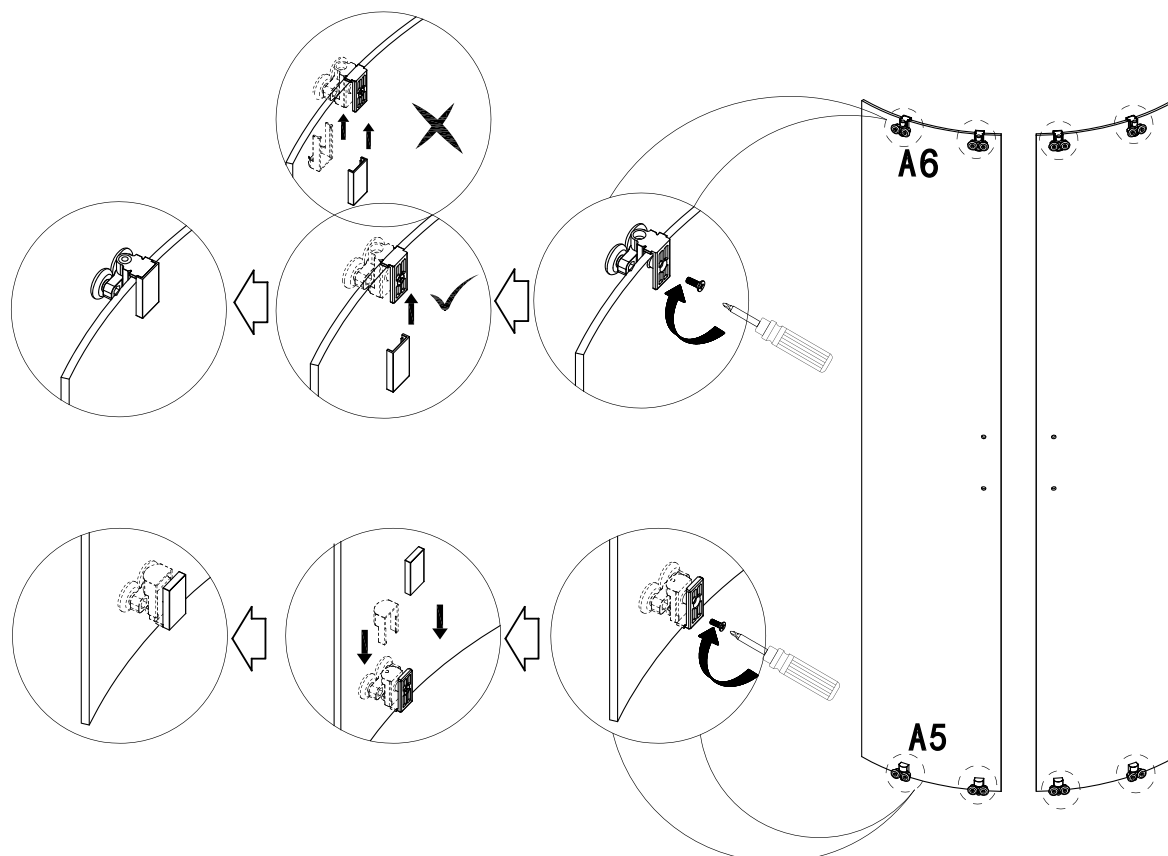
Step 3 - INSERT THE SHOWER ENCLOSURE INTO THE WALL PROFILES.



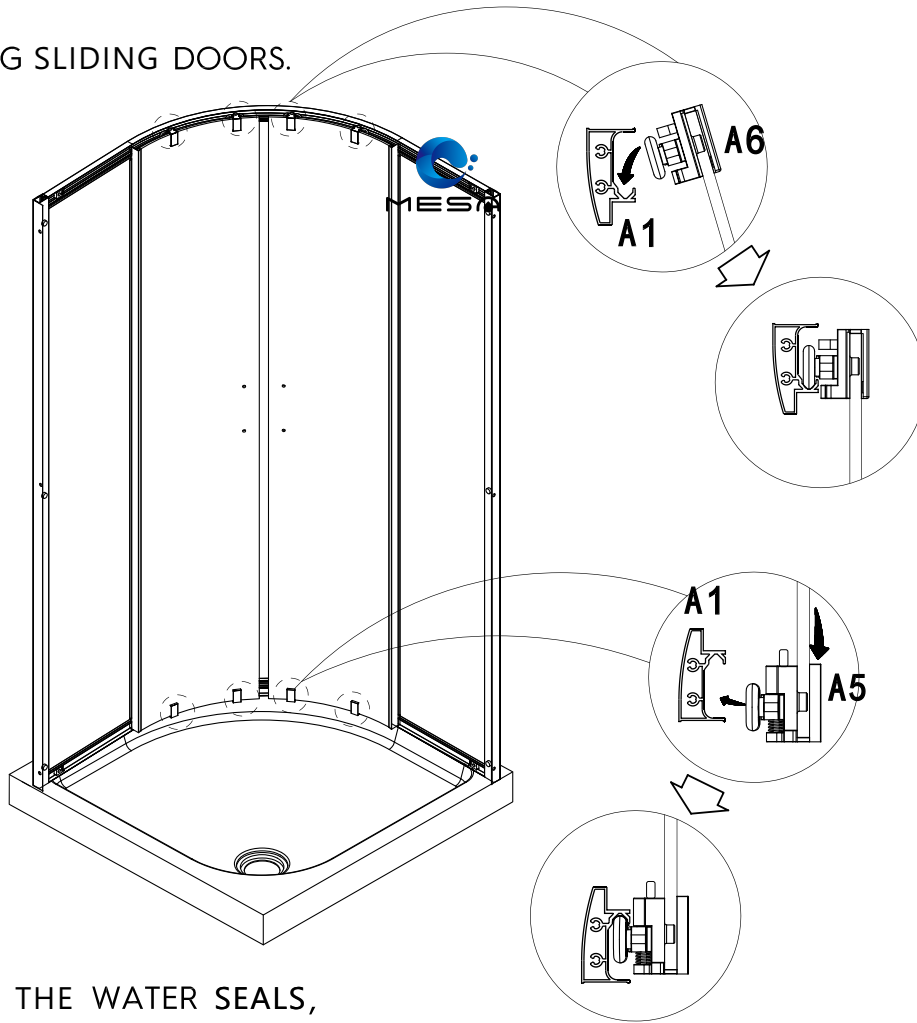
Gently squeeze the frame into the wall profiles.



Step 4 - INSTALLING ROLLERS ON THE GLASS DOORS.

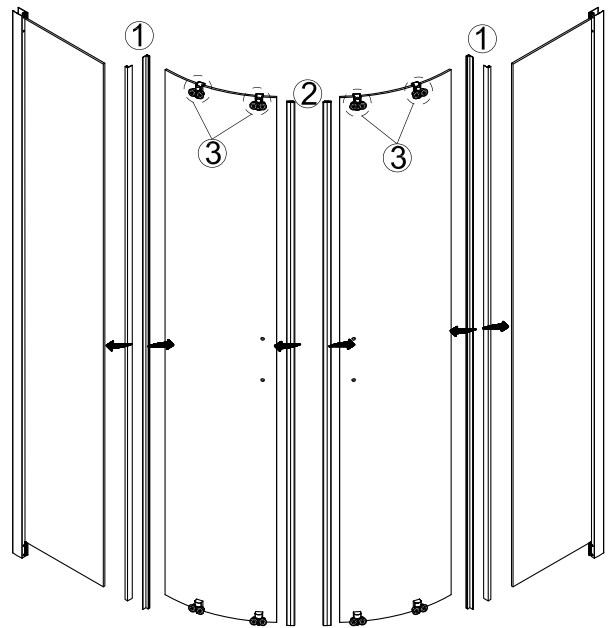
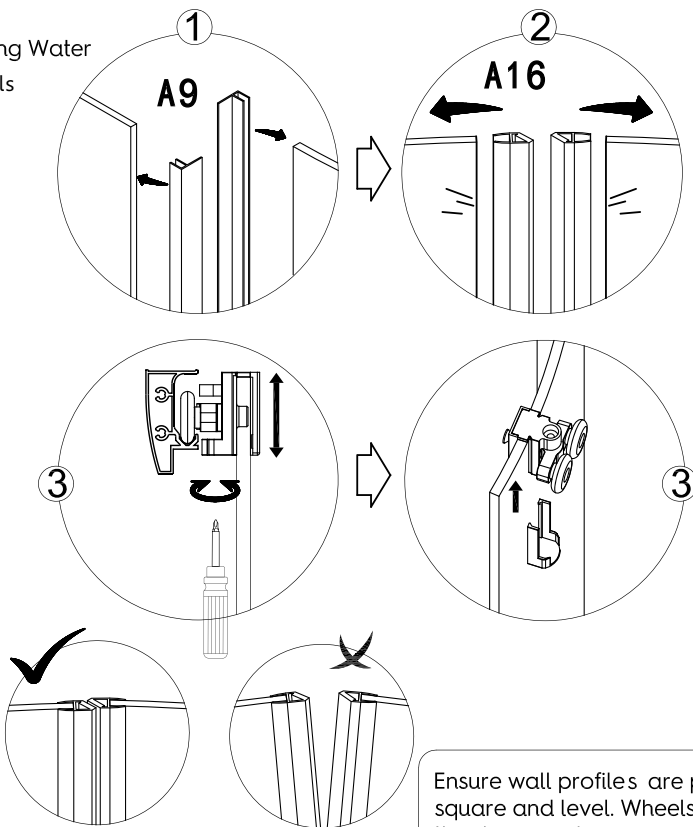



Step 5 - INSTALLING SLIDING DOORS.



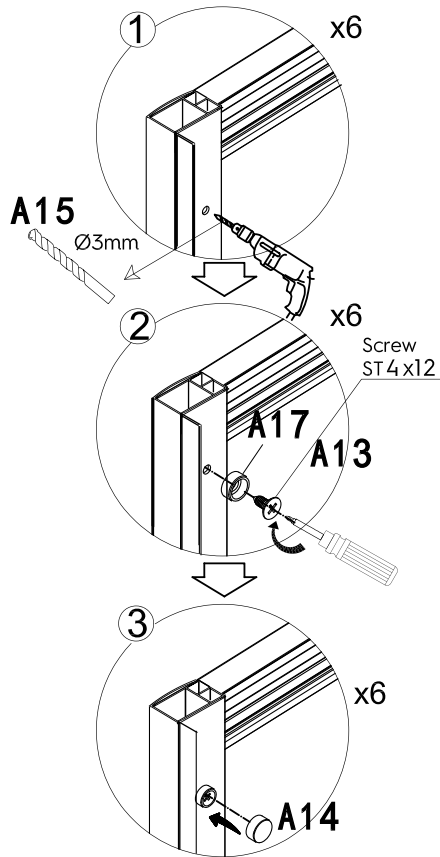
Step 6 - INSTALLING THE WATER SEALS, MAGNETIC SEAL AND ROLLER COVERS.

Fitting Water Seals

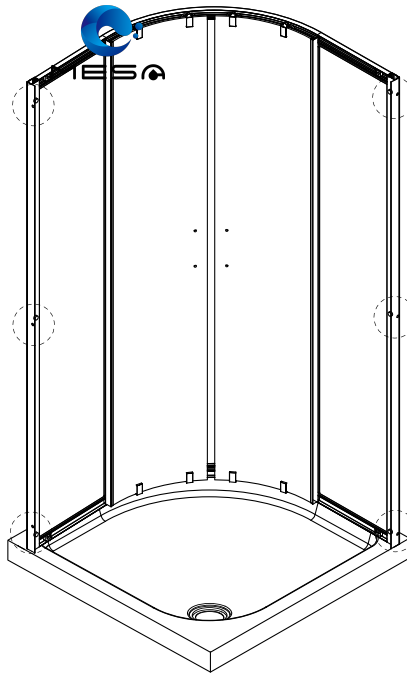


Ensure wall profiles are plumb. Adjust enclosure to square and level. Wheels should be adjusted to the doors and ensure smooth running, using the adjusting screws underneath the top rollers. 

Step 7 - FIXING THE DOOR FRAME WITH THE SIDE PROFILES.

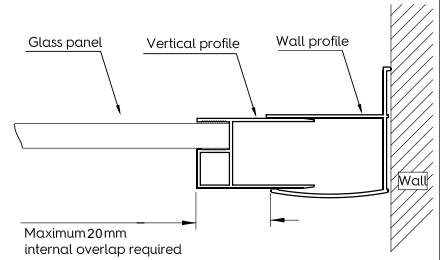


Take care not to drill into the glass

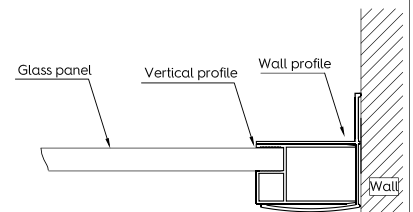


How to adjust the width of the Quad

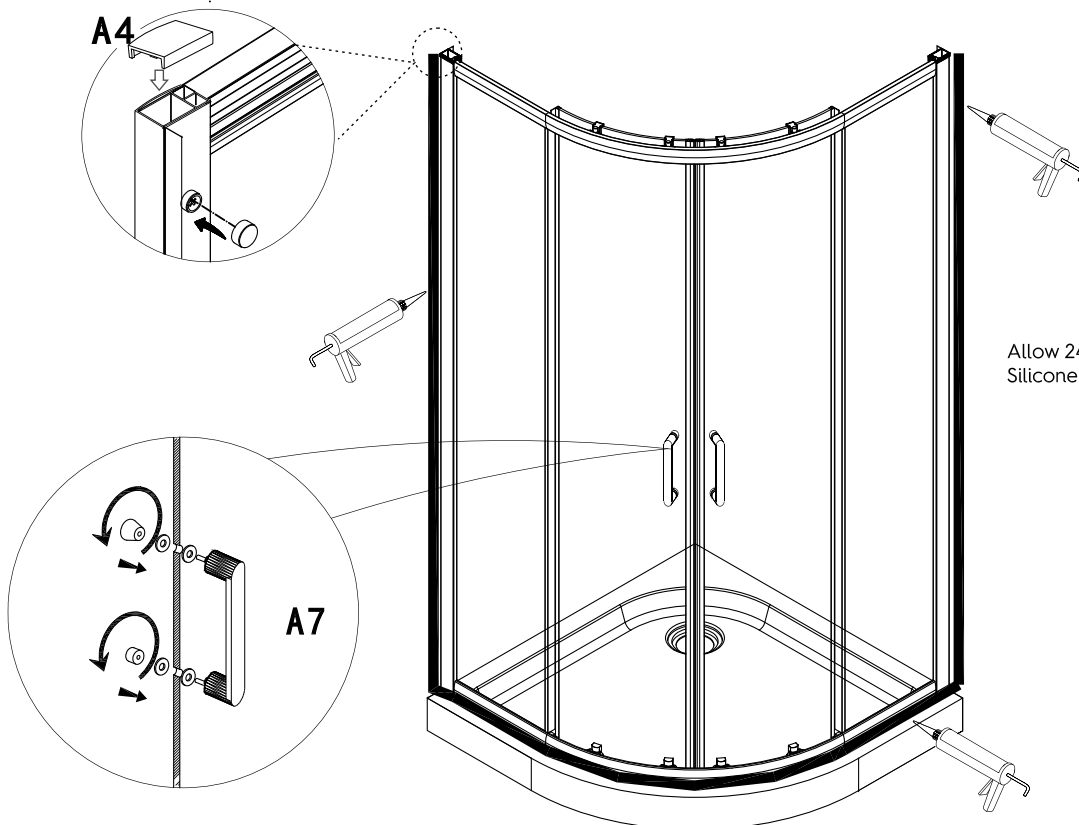
Maximum adjustment



Minimum adjustment



Step 8 - FITTING THE HANDLES AND SILICONE THE OUTSIDE EDGES.



Allow 24 hours for silicone to dry before use. Silicone on the outside edge only as shown

CARE AND MAINTANENCE:

It is important that you clean your shower enclosure after every use.

Soapy water is adequate to keep the glass clean however glass cleaner can be used if required. In hard water areas, insoluble lime scale may be deposited on the glass. If this is allowed to build up it becomes increasingly difficult to remove. Regular cleaning will minimise this effect.

NEVER use abrasive products or strong chemical cleaners on the glass.

Silicone spray may be used to lubricate rollers, hinges and other moving parts